

ADDENDUM

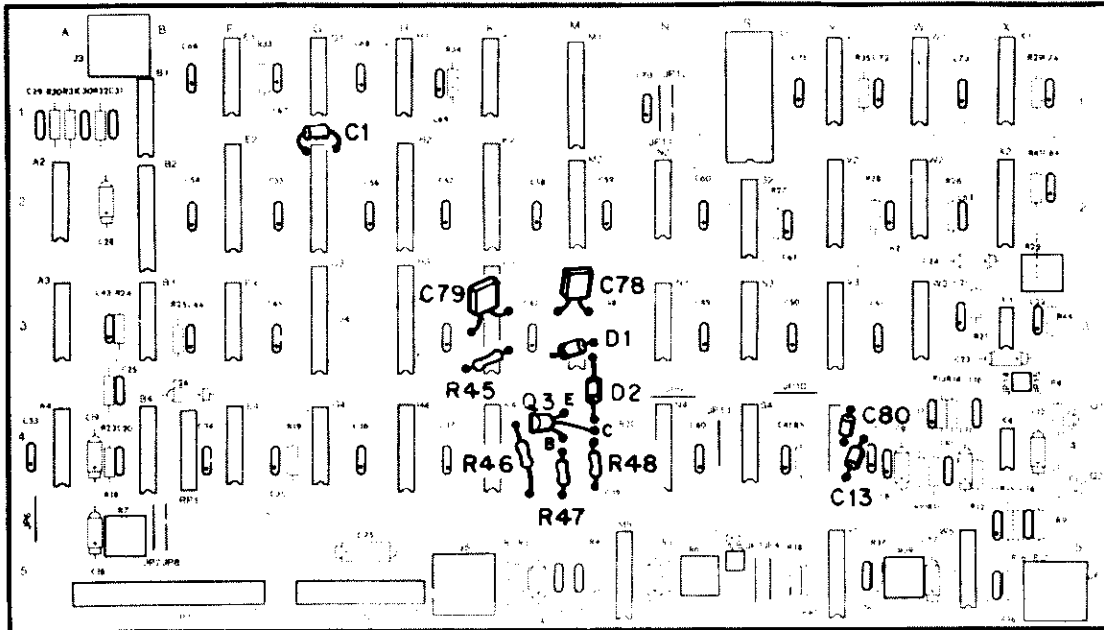
ATTACHED TO AND PART OF M.A.C.H. 3 (GAME GV-109)

GAME AS SHIPPED VARIES FROM THE INSTRUCTION MANUAL AS PRINTED

INTERFACE BOARD ASSY. (A2)
PART NO. MA-499

1. Circuit revisions for this assembly have been implemented in this game. The following changes denoted and illustrated below will update pages 38, 39 and 40. Keep this addendum with your instruction manual for future reference.

INTERFACE BOARD ASSY. (A2), COMPONENT LOCATION



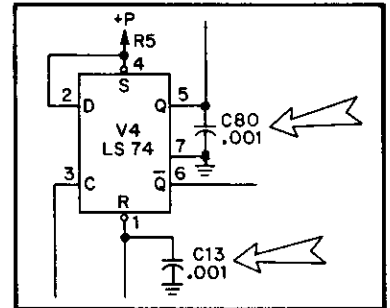
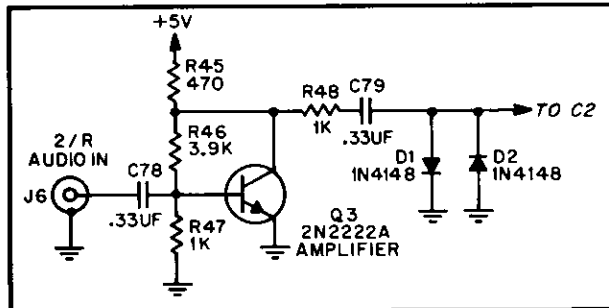
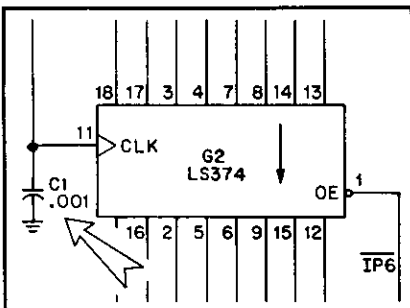
INTERFACE BOARD ASSY. (A2), PARTS LIST

DELETED:

C32 Capacitor, 820PF, 50V CM-AX, ±80%-20%.....XO-692

ADDED:

C1, C13, C80 Capacitor, .001UF, 50V CM-AX, ±80%-20%.....XO-695
 C78, C79 Capacitor, .33UF, 50V CM-AX.....XO-295
 D1, D2 Diode, 1N4148.....XO-261
 Q3 Transistor, NPN, 2N2222A.....XO-320
 R45 Resistor, 470 OHM, 5%, 1/4W.....XO-35
 R46 Resistor, 3.9K OHM, 5%, 1/4W.....XO-39
 R47, R48 Resistor, 1K OHM, 5%, 1/4W.....XO-5



ADDENDUM

ATTACHED TO AND PART OF M.A.C.H. 3 (GAME GV-109) INSTRUCTION MANUAL

GAME AS SHIPPED VARIES FROM THE INSTRUCTION MANUAL AS PRINTED

1. Add the following to **VIII. GENERAL INFORMATION--C. FUSES--BOTTOM PANEL** on page 12 of the instruction manual:

F11 9V AC

1/4 Amp SLO-BLO

2. Make the following changes as shown below in the partial illustration to the **PRIMARY POWER/FILTER BOARDS/INTERCONNECTION DIAGRAM** schematic on pages 50, 51 and 52 in the instruction manual:

(a) Add fuse F11 to the 9V AC RETURN line as shown below.

(b) Change wire color 244, between tap 7 (9V AC RETURN) on the transformer and the bridge rectifier, to wire color 222; add wire color 222 from the bridge rectifier to F11, as shown below.

